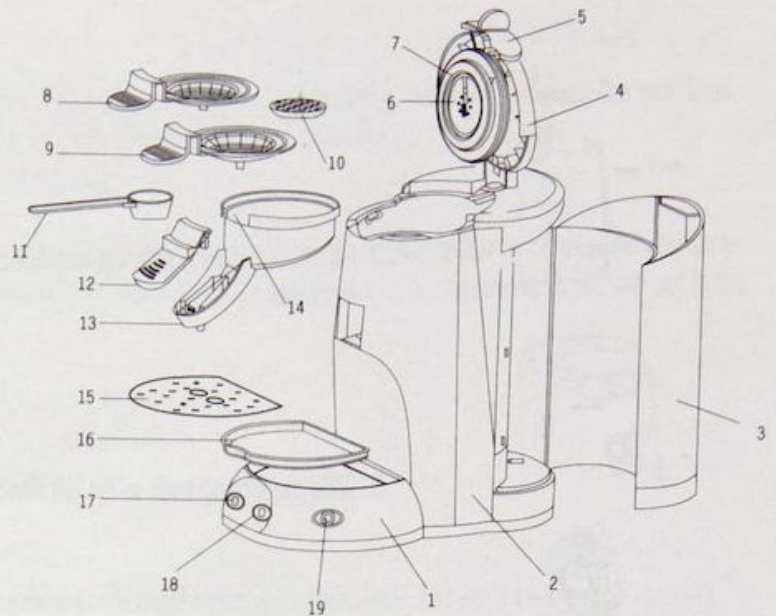


## GB: INSTRUCTION MANUAL COFFEE MACHINE CAFE DIRETTO

### Features:

- |                                  |   |
|----------------------------------|---|
| 1. Base                          | 2. Housing                              |
| 3. Water Tank                    | 4. Lid                                  |
| 5. Lid Lock Button               | 6. Water Distribution Plate             |
| 7. Silicon Sealing Ring          | 8. 1 Cup Pad Holder                     |
| 9. 2 Cup Pad Holder / Powder Pan | 10. Powder Pan Cover                    |
| 11. Coffee Powder Spoon          | 12. Cover of Coffee Outflow with Nozzle |
| 13. Coffee Outflow Unit          | 14. Cup                                 |
| 15. Cup Tray                     | 16. Drip Tray                           |
| 17. 1 Cup Button                 | 18. 2 Cups-choice Button                |
| 19. On/Off Power                 |   |



### Important Safeguards

When using an electrical appliance, basic safety precautions should always be observed, including the following:

### READ ALL THE INSTRUCTIONS BEFORE USING THE MACHINE AND SAVE THESE INSTRUCTIONS FOR HOUSEHOLD USE ONLY.

**Warning:** To reduce the risk of fire or shock, or injury:

1. Use only as described in this manual. Use only the attachments enclosed in this box. Do not use re-usable pad holders from third parties, as they can damage this machine.
2. Close attention is necessary when used near children. Never allow to be used as a toy.
3. Do not use with damaged cord or plug.
4. Do not use the unit if it has been dropped, damaged, left outdoors, or dropped in water. Return it to your point of purchase for examination, repair or adjustment.
5. Do not handle plug or appliance with wet hands.
6. Do not attempt to change any accessories while the unit is in use.
7. Read and follow all labels, operational and marking instructions.
8. Do not use for any purpose other than described in this user's guide.
9. Check if the voltage indicated on the bottom of the machine corresponds to your local mains voltage before you connect the machine.
10. To prevent accidental contact with hot water, always make sure the lid of the machine is properly locked before you start to use the machine.
11. Do not use the machine in combination with a transformer, as this could cause hazardous situations.
12. Put the machine on a flat, stable surface outside the reach of children and make sure children can not play with. Never let the machine operate unattended.
13. Flush the coffee machine with fresh water before using it for the first time.

### Preparing the Machine for use

**Important notice: You are recommended to flush the machine before brewing coffee for the first time!**

Flush a few cups of water as described below, in order to prepare the machine for its first full usage:



1. Remove the Water Tank.



2. Fill the Water Tank with tap water or distilled water up to MAX. indication and put back it back on the machine.



3. Slide the turning knob to the left direction to un-lock the lid.



4. Open the lid.



5. Put the 1-cup or 2-cup pad holder into the machine without any coffee pad(s).



6. Close the lid and slide the turning knob to the right direction completely.  
Make sure the slide action is done properly and completely because there is a micro-switch to activate the on/off power.

7. Connect the machine power cord plug to an AC mains outlet.



8. Put a large-enough bowl (with a capacity of at least 1 – 2L) under the coffee outflow openings to collect the hot water. We recommend to flush abt. 3-4 cups of water.



9. Press the on/off power button, it will light and flash slowly (while the water is being pre-heated).  
When it stops flashing (pre-heating is finished), you can select either 1-cup (button) or 2-cup (button) subsequently for the water to flow from the machine.

**Notice:**

The special mechanism makes the machine fill itself with water automatically and after a few flushings, the water will reach the min. level. For safety reasons, a special detector will switch off the machine when the min. water level is reached. Some small vibration motion is normal because of the pump functioning.

Before using the machine for the first time, please clean the coffee outflow unit, the pad holders and grind holder with hot water and some washing-up liquid or in a dishwasher. Clean the water tank thoroughly in hot water, if necessary with some washing-up liquid, but not in the dishwasher.

**Brewing coffee!**

1. Fill the water tank with tap water or distilled water up to MAX. level and put it back on the machine. Never pour milk, coffee, hot water or carbonated water into the water tank! A full tank of water makes up to 10-12 cups of hot fresh coffee.



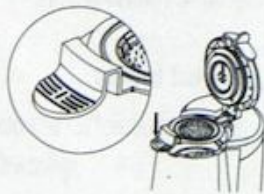
2. Press the on/off button. The pilot light will light up and flash slowly while the water is being heated. This takes about 90 seconds.



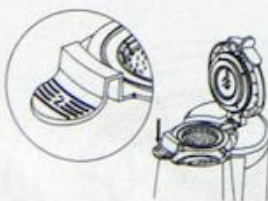
3. Release the lid by sliding the turning knob from right to left.



4. Open the lid.



5. Put in either the 1-cup or 2-cup pad holder and place it in the machine. ( If you want to make just 1 cup of coffee, use the 1-cup pad holder.



If you want to make 2 cups of coffee, use 2-cup pad holder.



6. Make sure to place the coffee pad(s) properly in the centre of pad holder and with the convex side pointing downwards.
- \* Place 1 coffee pad in the 1-cup pad holder,
  - \* Place 2 coffee pads in the 2-cups pad holder.



7. Use the grind holder if you want to make coffee with ground coffee ( max. 2 cups ).  
A plastic spoon is provided.  
One spoon of ground coffee makes 1 cup of coffee, 2 spoons for 2 cups.



8. Close the lid and slide the turning knob to the right completely. Make sure the slide action is done properly and completely because there is a micro-switch to activate the on/off power.
9. Connect the machine power cord plug with your house AC outlet.



10. Place 1 cup or 2 cups under the outflow openings. (The cups you use should have a capacity at least 150 ml. Do not use cups that are too large, as they will cause the coffee to get cold more quickly.)



11. Press the on/off power switch, it will light up and flash slowly (pre-heating the water). When it stops flashing (pre-heating finished), you could select either 1-cup (button) or 2-cup button subsequently.
12. Select the button of 1-cup or 2-cup indicating the number of cups of coffee you want to brew.  
The machine will automatically supply the optimal fresh hot coffee.

Remove the coffee pad(s) or grind after use by lifting the pad holder or grind holder from the machine and empty them.

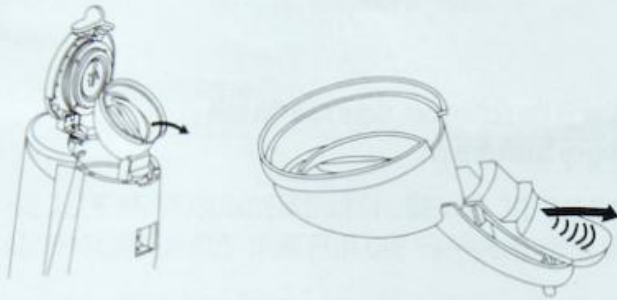
### Tips

- \* Do not remove the water tank during a brewing cycle, as this will cause the machine to pump in air. When this happens, the next cup will only be partly filled.
- \* If the cup(s) are only partly full when the machine stops brewing, there was not enough water in the water tank. Re-fill the water tank to the MAX. level, put in (a) new coffee pad(s), empty the cup(s) and press button on/off, 1-cup or 2-cups. The cup(s) will then be filled completely.

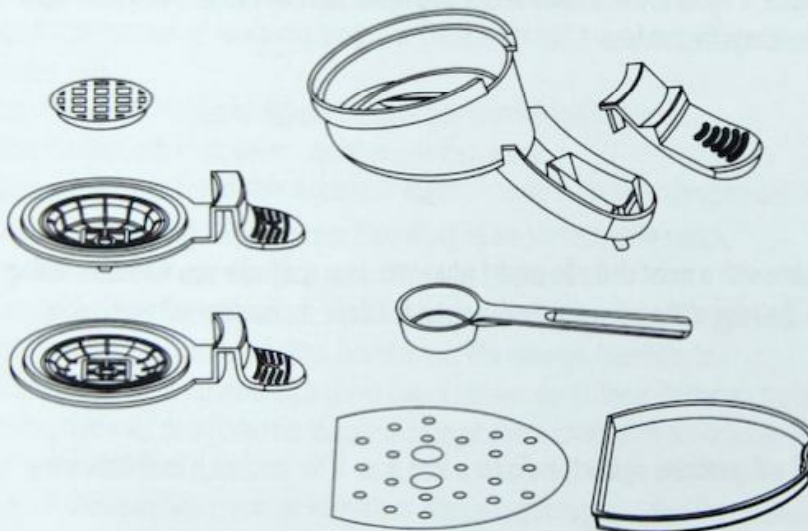
- \* By rinsing the pad holders, powder pan and the coffee outflow unit regularly, you will make sure that the coffee always reaches its best taste and flavour.
- \* If you intend to make another cup(s) of coffee later, just leave the machine switched on. The machine will automatically switch itself off after 1 hour.

### Cleaning

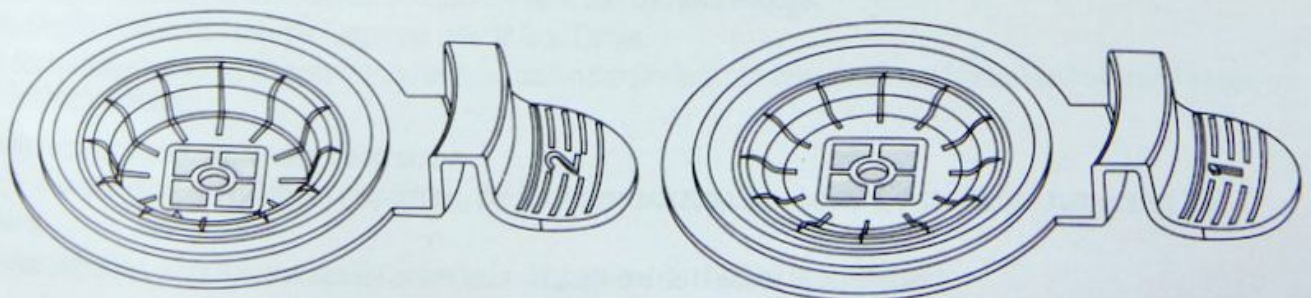
- \* **Never immerse the machine in water.**
- \* Never clean the machine by flushing it with the lid open.
- \* Always unplug the machine before cleaning.
- \* Clean the outside of the machine with a moist cloth only.
- \* Remove the coffee outflow unit

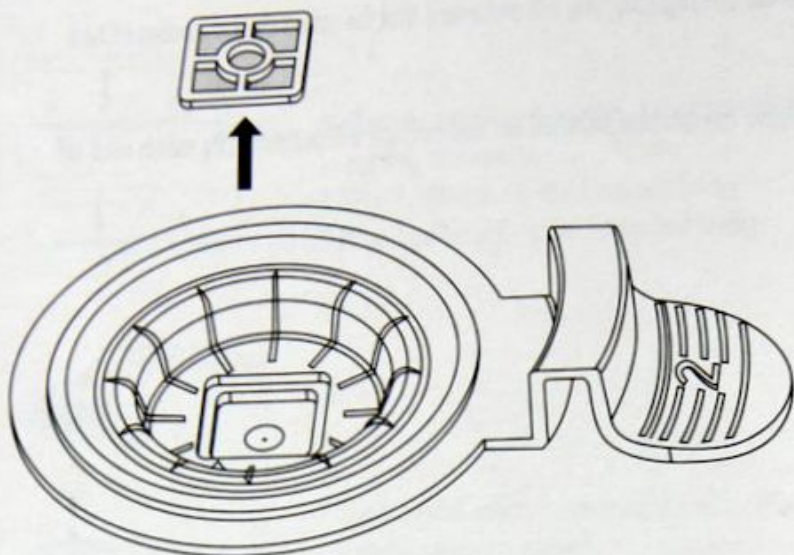


Disassemble the coffee outflow unit for more thorough cleaning.



Clean the coffee outflow unit, grind holder, cup tray and drip tray with hot water, if necessary with some washing-up liquid, or in the dishwasher.





Clean the pad holders in hot water, if necessary with some washing-up liquid, or in the dishwasher. Make sure the hole in the centre is not clogged. If the hole is clogged, unclog it by using a washing-up brush or a pin.



Clean the water tank in hot water, if necessary with some washing-up liquid. Rinse all the parts with fresh water after cleaning and put them back into the machine.



Clean the water distribution plate with a moist cloth. Be careful when you clean and make sure the rubber sealing ring does not get stuck under the edge of the water distribution plate. If it does, the machine will start leaking.

### Descaling

Regular descaling will prolong the life of the machine and will guarantee optimal results for a long time. If the machine is used twice a day on average, it must be descaled once every 3 months.

Descaling is simple, just follow the instructions for the flushing before first time-use, only now add a descaling agent. Please be sure to flush with clean water after descaling has taken place and clean the pad holders and grind holder, in order to prevent the hole from getting clogged.